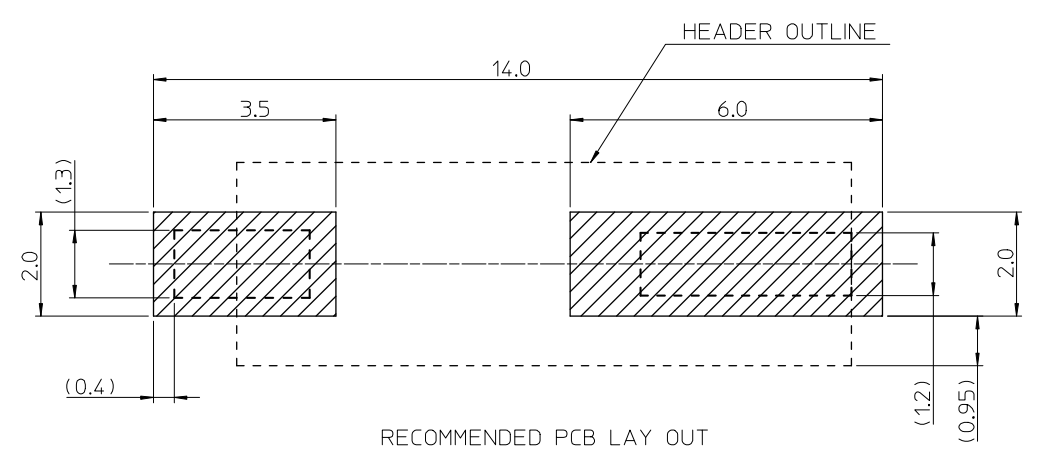
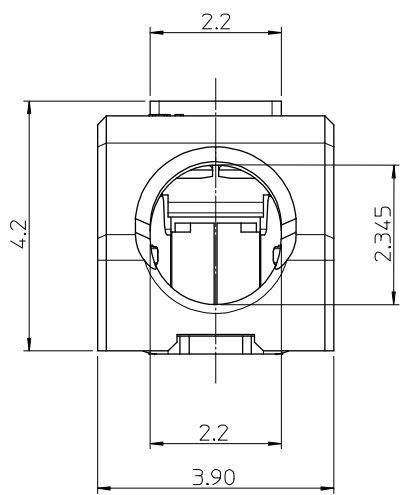
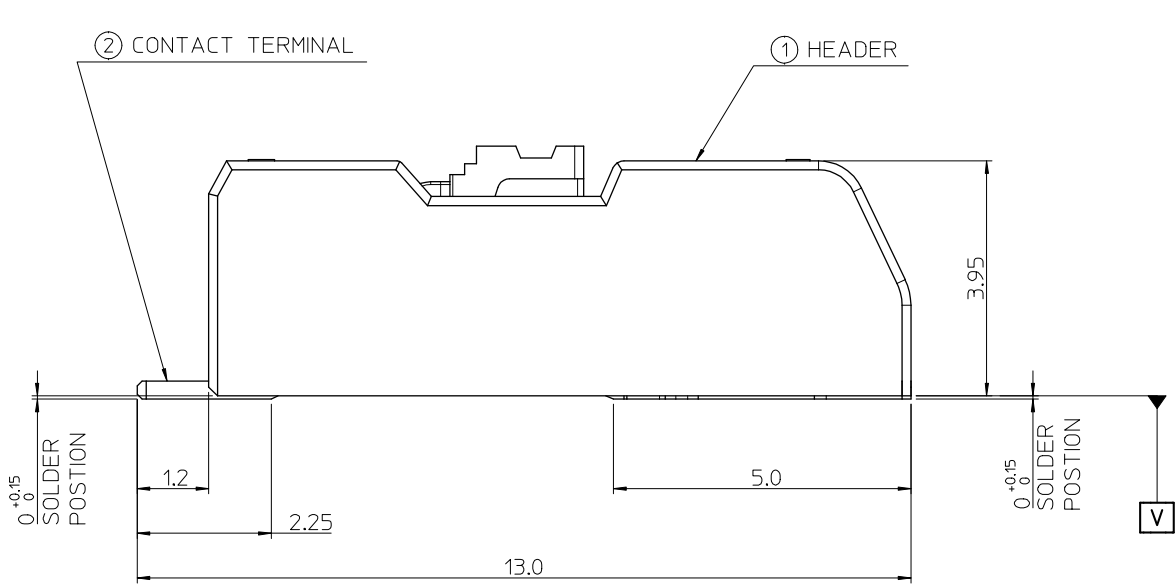


ISOMETRIC VIEW



RECOMMENDED PCB LAY OUT  
[GENERAL TOLERANCE : ±0.05]

- NOTE
- MATERIAL
    - HEADER : LIQUID CRYSTAL POLYMER(LCP) UL94V-0, HALOGEN FREE, COLOR OF NATURAL
    - CONTACT TERMINAL : COPPER-ALLOY, 0.3mm THICKNESS
  - PLATING
    - CONTACT TERMINAL : PRE-TIN PLATED 1.0μm MINIMUM TIN PLATING
  - PRODUCT SPECIFICATION : PS-104188-001
  - PACKAGING SPECIFICATION : PK-104188-001
  - COPLANALITY OF SOLDER TAILS (PEAK TEMP. : 260°C), BEFORE & AFTER REFLOW : 0.08 MAX.
  - APPLICABLE SOLIDE WIRE RANGE : AWG 24~18 (OUTSIDE WIRE INSULATION : 2.1mm DIAMETER MAX.)

PRE-RELEASE  
REFERENCE  
USE ONLY

PRELIMINARY EC NO: DRWN: JSSHIN CH'KD: APPR:	2013/10/14	DESCRIPTION	QUALITY SYMBOLS	GENERAL TOLERANCES (UNLESS SPECIFIED)	DIMENSION STYLE	SCALE	DESIGN UNITS	THIRD ANGLE PROJECTION
			▼=0 ▽=0	mm    INCH	MM ONLY	8/1	METRIC	◎ □
1	1	REV	4 PLACES	±	±	DRAWN BY	DATE	TITLE
			3 PLACES	±	±	JS.SHIN	2013/08/29	
			2 PLACES	±0.15	±	CHECKED BY	DATE	DOCUMENT NO.
			1 PLACE	±0.20	±	SH.CHU	2013/08/29	
			0 PLACE	±	±	APPROVED BY	DATE	SHEET NO.
			ANGULAR ± 1 °			YS00.KIM	2013/08/29	
DRAFT WHERE APPLICABLE MUST REMAIN WITHIN DIMENSIONS			MATERIAL NO.		1041880110		THIS DRAWING CONTAINS INFORMATION THAT IS PROPRIETARY TO MOLEX INCORPORATED AND SHOULD NOT BE USED WITHOUT WRITTEN PERMISSION	
			SIZE	A3				