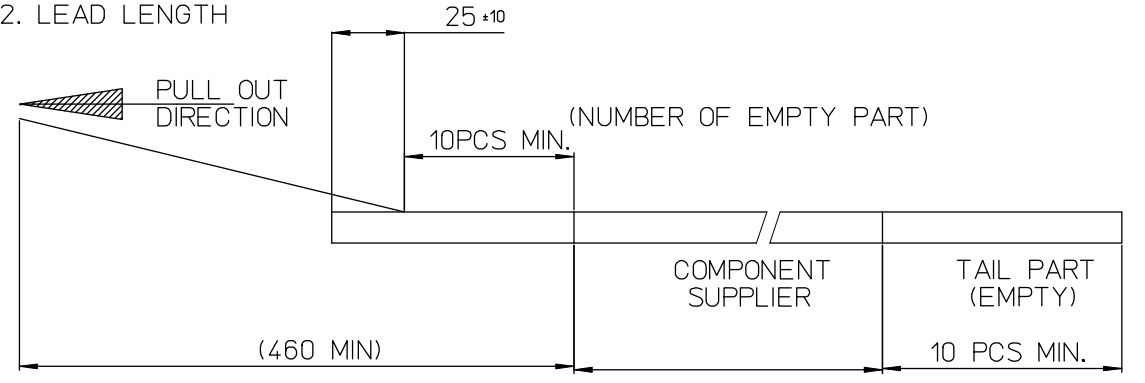


Section A-A

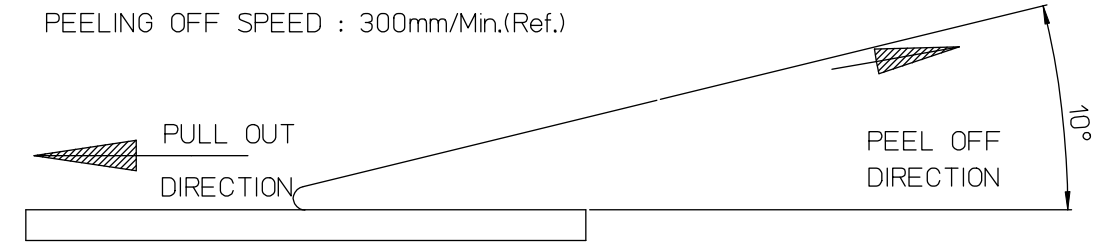
NOTES

1. QUANTITY OF CONNECTORS : 2,500 PCS/REEL

2. LEAD LENGTH



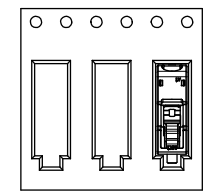
3. PEELING OFF FORCE OF COVER TAPE : 0.1N~0.59N(10.2GF~60GF)
 (PEELING DIRECTION AS SHOW IN FOLLOW FIG.)
 PEELING OFF SPEED : 300mm/Min.(Ref.)



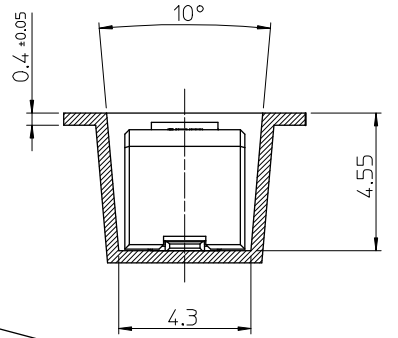
4. FLASH IN ANY PORTION SHOULD BE LESS THAN 0.20mm MAX.
 5. UNLESS OTHERWISE SPECIFIED INNER R0.2 MAX

[TABLE]

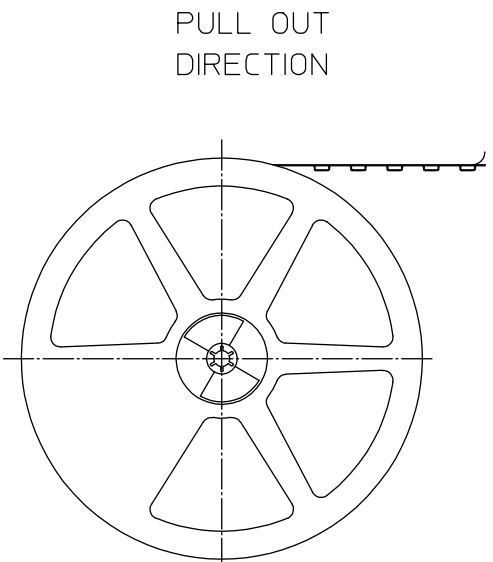
1041880110	104188-0110	NATURAL	24.0mm	104188-9001
MATERIAL NO.	NO.	COLOR	TAPE WIDTH	EMBOSS TAPE
	CONNECTOR			



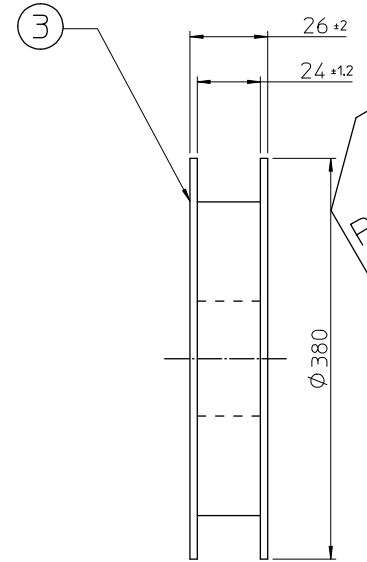
PULL OUT DIRECTION



Section B-B



PLASTIC BOBBIN



PRE-RELEASE REFERENCE USE ONLY

PRELIMINARY
 EC NO:
 DRWN: JS.SHIN 2013/03/12
 CH'KD:
 APPR:

REV	DESCRIPTION
0	

QUALITY SYMBOLS	GENERAL TOLERANCES (UNLESS SPECIFIED)	
	mm	INCH
▽=0	4 PLACES ±	±
▽=0	3 PLACES ±	±
	2 PLACES ± 0.20	±
	1 PLACE ± 0.20	±
	0 PLACE ±	±
	ANGULAR ± 3 °	
	DRAFT WHERE APPLICABLE MUST REMAIN WITHIN DIMENSIONS	

DIMENSION STYLE MM ONLY	
DRAWN BY	DATE
JS.SHIN	2013/03/12
CHECKED BY	DATE
SH.CHU	2013/03/12
APPROVED BY	DATE
YS00.KIM	2013/03/12
MATERIAL NO.	
1041880110	
SIZE	
A3	

SCALE 4:1	DESIGN UNITS METRIC	THIRD ANGLE PROJECTION
TITLE		
S-POKE CONNECTOR HEADER ASS'Y -1P EMBOSS PACKAGE		
molex		
DOCUMENT NO.	SHEET NO.	
SD-104188-002	1 OF 1	
THIS DRAWING CONTAINS INFORMATION THAT IS PROPRIETARY TO MOLEX INCORPORATED AND SHOULD NOT BE USED WITHOUT WRITTEN PERMISSION		