



## Features

- 1.27 mm pitch
- 3 to 4 precious metal contacts
- Twin hot contacts (symmetrical pad layout)
- Pick & place compatible
- High cycle life
- RoHS compliant\*

## Applications

- Handheld communications - mobile phones, pagers, cordless phones, GPS, PICs, radios
- Portable consumer equipment - PDAs, HPCs, notebook PCs, cameras, dictaphones, PICs, games

# 70AB/Male - Modular Contact

### Material & Finishes

Insulator ....Glass reinforced thermoplastic, UL 94V-0 rated, black  
 Contact .....Copper alloy  
 Finish  
 Underplating.....20 ohms max.  
 Contact Area.....2 % max. of TR

### Operating Characteristics

Electrical  
 Current Rating .....3 A/contact  
 Voltage Rating.....60 V  
 Contact Resistance.....25 milliohms max.  
 Dielectric Voltage .....AC 500 V  
 Insulating Resistance...1000 Mohms min.  
 Operating Temperature...-55 °C to 125 °C  
 Mechanical  
 Normal Force/Finger .....40 grams min.  
 Durability .....5,000 cycles min.

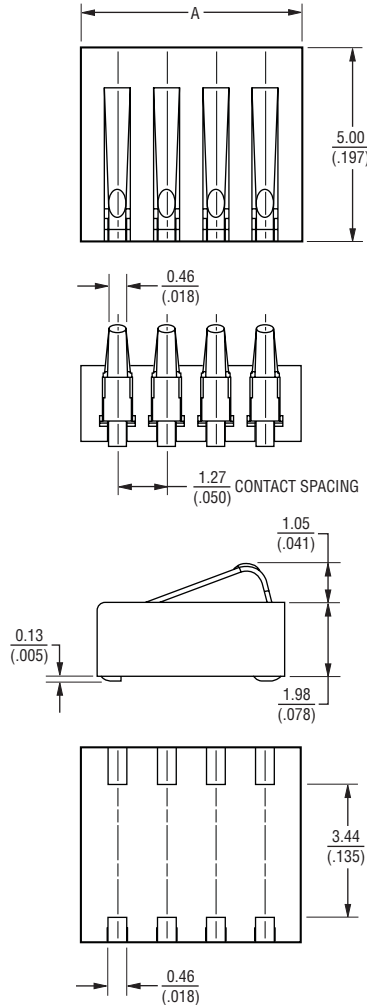
### How to Order

**70AB J - 4 - M 0 E**

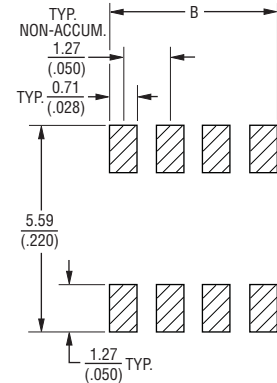
Model \_\_\_\_\_  
 Terminal Style \_\_\_\_\_  
 Number of Contacts (N) \_\_\_\_\_  
 3 or 4  
 Gender \_\_\_\_\_  
 M = Male  
 Options \_\_\_\_\_  
 0 = Standard  
 Packaging Option \_\_\_\_\_  
 E = Embossed Tape (500 pcs. per reel)

### Product Dimensions

#### 70ABJ



### Recommended PWB Layout



Number of Contacts	Dimension B
3	$\frac{5.79}{(.288)}$
4	$\frac{7.06}{(.278)}$

DIMENSIONS ARE:  $\frac{\text{MILLIMETERS}}{\text{(INCHES)}}$

Number of Contacts	Dimension A
3	$\frac{4.39}{(.173)}$
4	$\frac{5.66}{(.223)}$



#### Asia-Pacific:

Tel: +886-2 2562-4117  
 Fax: +886-2 2562-4116

#### Europe:

Tel: +41-41 768 5555  
 Fax: +41-41 768 5510

#### The Americas:

Tel: +1-951 781-5500  
 Fax: +1-951 781-5700

[www.bourns.com](http://www.bourns.com)

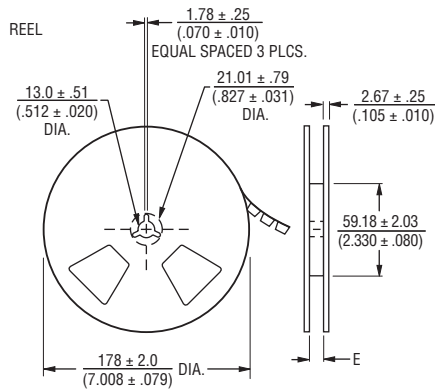
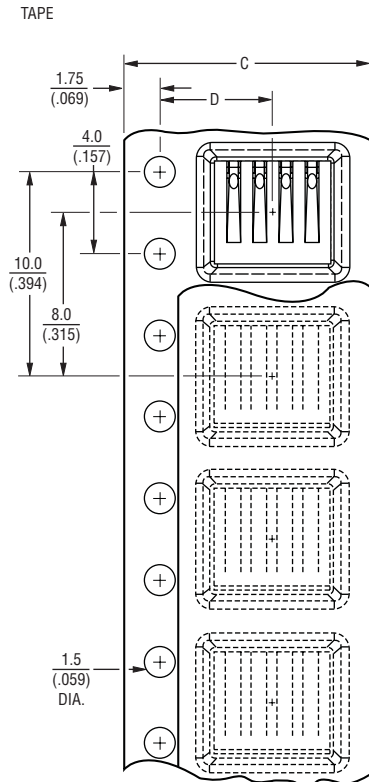
\*RoHS Directive 2002/95/EC Jan 27 2003 including Annex. Specifications are subject to change without notice.

Customers should verify actual device performance in their specific applications.

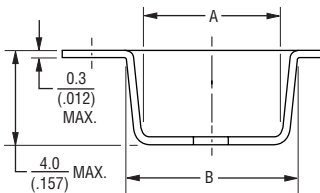
# 70AB/Male - Modular Contact

**BOURNS®**

## Packaging Specifications



No. of Contacts	Dimension A	Dimension B	Dimension C	Dimension D	Dimension E
3	$\frac{4.77}{(.188)}$	$\frac{6.22}{(.245)}$	$\frac{12.0}{(.472)}$	$\frac{5.5}{(.217)}$	$\frac{12.4}{(.488)}$
4	$\frac{6.04}{(.238)}$	$\frac{7.50}{(.295)}$	$\frac{12.0}{(.472)}$	$\frac{5.5}{(.217)}$	$\frac{12.4}{(.488)}$



DIMENSIONS ARE:  $\frac{\text{MILLIMETERS}}{\text{(INCHES)}}$