

- Ultra miniature Radial Type 5mm Height
- Designed for use in VCRs, car radios, Car stereos.

**Characteristics**

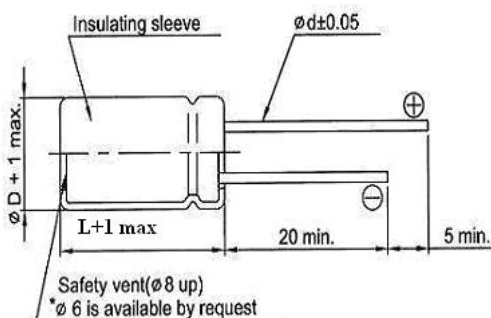
<b>Voltage Range</b>	4 ~ 50 V								
<b>Capacitance Range</b>	0.1 ~ 220uF								
<b>Temperature Range</b>	-40 ~ + 105°C								
<b>Capacitance Tolerance</b>	±20% at 120Hz, 20°C ( 10% Tol. is available upon request)								
<b>Leakage Current</b>	≤0.01CV or 3uA, whichever is greater (After 2 minutes)								
<b>Dissipation Factor</b>	Rated Voltage (V)	4V	6.3V	10V	16V	25V	35V	50V	
	Dissipation Factor( tanδ)max	0.35	0.24	0.20	0.16	0.14	0.12	0.10	
(at 20°C, 120Hz)									
<b>Stability at Low Temperature</b>	Impedance ration at 120Hz								
	Rated Voltage (V)	4V	6.3V	10V	16V	25V	35V	50V	
	Z-25°C/Z 20°C	7	4	3	2	2	2	2	
	Z-40°C/Z 20°C	15	8	6	4	4	3	3	
<b>Load Life</b> (size 8x5mm is 85°C 1000hrs)	After the rated voltage has been applied for 1000 hours at 105°C	Capacitance change		Within ±20% of initial value					
		D.F. tanδ		200% or less of initial specified value					
		Leakage current		Less than Initial specified value					
<b>Shelf Life</b> (size 8x5mm is 85°C 500hrs)	After storage for 1000 hours at 105°C with no voltage applied, the capacitor shall meet the specified limit in load life. Pre-treatment for measurement shall be conducted after application of DC working voltage for 30 minutes.								

**Case Size of Standard Products & Maximum Ripple Current mA rms 105°C 120Hz**

Cap. WV uF	4V		6.3V		10V		16V		25V		35V		50V	
	Size	R.C.	Size	R.C.	Size	R.C.	Size	R.C.	Size	R.C.	Size	R.C.	Size	R.C.
0.1												→	4x5*	1.0
0.22												→	4x5*	2.0
0.33												→	4x5*	2.8
0.47												→	4x5*	4.0
1												→	4x5*	8.0
2.2												→	4x5*	10
3.3												→	4x5	17
4.7								→	4x5*	16	4x5	18	5x5	20
10						→	4x5*	23	4x5	27	5x5	30	6.3x5	33
22					4x5	28	5x5	37	5x5	42	6.3x5	46	6.3x5	48
33		→	4x5	37	5x5	41	5x5	49	6.3x5	53	8x5	62		
47	4x5	34	5x5	45	5x5	45	6.3x5	58	6.3x5	60	8x5	80		
100	5x5	50	6.3x5	56	6.3x5	70	6.3x5	85	8x5	95				
220		→	6.3x5	90	8x5	95								

- Also 3x5 is available, size 8x5 is 85°C only.

**Diagram of dimensions**



D ø	4	5	6.3	8
p	1.5	2.0	2.5	3.5
d ø	0.45			