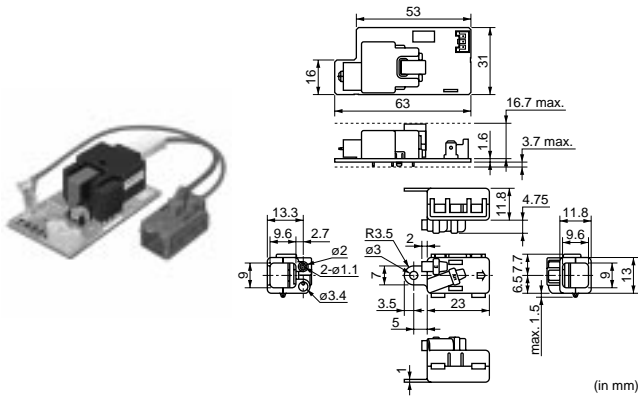


# Applicable Products with Power Supplies

## Ionizer Modules



Part Number	Input Voltage (V)	Consumption Electricity (W)	Ion Amount	Ozone Amount	Operating Temperature Range	Operating Humidity Range
<b>MHM301-__</b>	12	0.4	500,000pcs/cc or more	0.05mg/H or less	0 to +50°C	30 to 80%RH
<b>MHM302-__</b>	12	0.6	500,000pcs/cc or more	Max. 1.0mg/H	0 to +50°C	30 to 80%RH