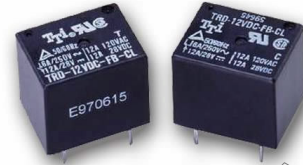


TRD

TRDT with TV-5 Approval

MAIN FEATURES

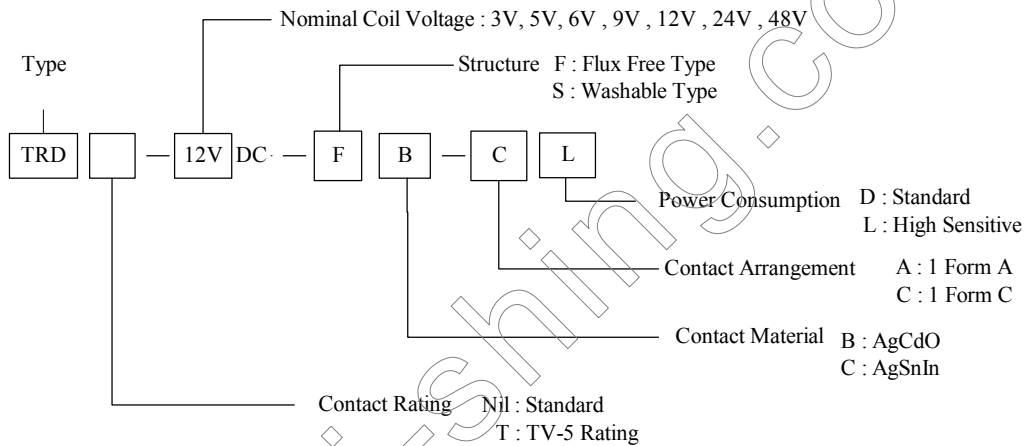
- Switching capacity available by 12A in spite of small size design for high density P.C. board mounting technique.
- UL/CSA recognized. TRDT (TV-5 Approval).
- Selection of plastic material for high temperature and better chemical solution performance.
- Sealed types available.
- Simple relay magnetic circuit to meet low cost of mass production.



APPLICATIONS

- TRD : • Domestic appliance, office machine, audio, equipment, automobile, etc.
 TRDT : • Remote control TV receiver, monitor display, audio equipment high rushing current use application.

ORDERING INFORMATION

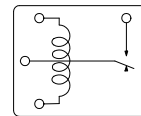
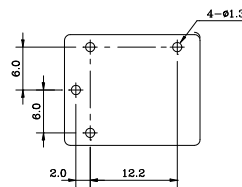
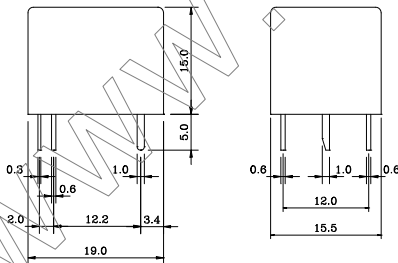


DIMENSION(unit:mm)

DRILLING(unit:mm)

WIRING DIAGRAM

TRD 1 Form A AND TRDT(TV-5)



TRD 1 Form C

