

Metallized Film Power Capacitor

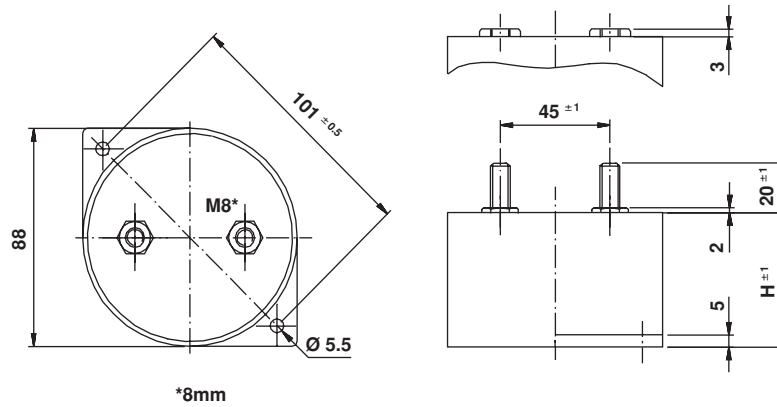


FEATURES

- Very low stray inductance
- Extremely low losses also at high frequencies
- Low ESR: < 4 mΩ
- Highest RMS current rating
- High impulse discharge current capability
- Heavy duty shock and vibration
- High reliability and life expectancy
- Easy mounting by integrated flanges

GENERAL SPECIFICATIONS	
Dielectric	Polypropylene
Temperature coefficient (TCC)	- 2.3% from - 20°C to + 70°C
Dissipation factor (DF)	< 4 x 10 ⁻⁴ /2 kHz
Capacitance tolerance	± 5%
Operating temperature	- 40°C to + 70°C at UN - 40°C to + 100°C at 0.5* UN
Inductance	< 30nH
Lifetime expectancy	100,000 hours at U _R and 60°C
Reliability	300FIT
Test voltage	Terminal/Terminal = 1.5*U _R DC, 10s Terminal/Earth = 6000VAC, 60s
Casing material	Polyester, UL 94, V0
Filling	Resin Polyurethane, UL 94, V0
Standards	IEC 61071-1, EN 61071-1 and IEC 61881

DIMENSIONS



TYPE DESCRIPTION						
TYPE GLI	RATED VOLTAGE		CAPACITANCE (μ F)	CURRENT* MAX. (A)	du/dt MAX.(V/ μ s)	HEIGHT (mm)
	DC (V)	AC (V)				
700-35	700	200	35	80	450	38
700-160	700	200	160	100	150	56
700-230	700	200	230	100	100	68
900-25	900	250	25	60	500	38
900-100	900	250	100	80	150	56
900-150	900	250	150	90	125	68
1100-15	1100	300	15	50	750	38
1100-75	1100	300	75	80	200	56
1100-100	1100	300	100	80	150	68
1250-50	1250	350	50	70	250	56
1250-75	1250	350	75	70	150	68
1450-40	1450	400	40	70	250	56
1450-60	1450	400	60	70	200	68
1800-25	1800	450	25	50	300	56
1800-35	1800	450	35	50	250	68
2150-18	2150	500	18	40	400	56
2150-25	2150	500	25	40	300	68

Note: Other voltage and capacitance values are available upon request.

*Design current for short term operation at 50°C



Notice

Specifications of the products displayed herein are subject to change without notice. Vishay Intertechnology, Inc., or anyone on its behalf, assumes no responsibility or liability for any errors or inaccuracies.

Information contained herein is intended to provide a product description only. No license, express or implied, by estoppel or otherwise, to any intellectual property rights is granted by this document. Except as provided in Vishay's terms and conditions of sale for such products, Vishay assumes no liability whatsoever, and disclaims any express or implied warranty, relating to sale and/or use of Vishay products including liability or warranties relating to fitness for a particular purpose, merchantability, or infringement of any patent, copyright, or other intellectual property right.

The products shown herein are not designed for use in medical, life-saving, or life-sustaining applications. Customers using or selling these products for use in such applications do so at their own risk and agree to fully indemnify Vishay for any damages resulting from such improper use or sale.