

## GTO Snubber Capacitors, Oil Impregnated

**PART NO.** **GTO 4500-6.0P**  
**ART. NO.** **10726**

### NOMINAL RATINGS

Capacitance/Tolerance	CN	6 $\mu$ F $\pm$ 5%
Rated voltage	UN	4500V
Rated DC voltage	U <sub>dc</sub>	3300VDC
Rated RMS voltage	U <sub>rms</sub>	1400VAC
Peak voltage period.	U <sub>s</sub>	4500VDC
Peak voltage not period.	U <sub>smax</sub>	4900VDC

Voltage raise	du/dt	1200V/us
Rated current	I <sub>n</sub>	160A
Peak current	I <sub>s</sub>	7200A

Inductance	L <sub>s</sub>	< 15nH
Loss factor diel.	tan $\delta$	< 2.0*10 <sup>-4</sup>
Loss factor 50Hz	tan $\delta$	< 2.0*10 <sup>-4</sup>
1kHz	tan $\delta$	< 4.0*10 <sup>-4</sup>

### ROUTINE TESTS

Test voltage terminal/terminal	UT/T	7300VDC, 10s
--------------------------------	------	--------------

### OPERATING TEMPERATURE

Minimum ambient temperature	T <sub>a min</sub>	- 25°C
Maximum ambient temperature	T <sub>a max</sub>	60°C
Minimum casing temperature	T <sub>c min</sub>	- 25°C
Maximum casing temperature	T <sub>c max</sub>	70°C

The list below contains our standard program for GTO capacitors with a rated voltage of 4500V. All parameters not mentioned below are in accordance with this data sheet.

Type	C $\mu$ F	I <sub>s</sub> A	Dimensions $\varnothing$ d x h (mm)	Weight kg
GTO 4500 - 0.25 P	0.25	300	92 x 91	0.59
GTO 4500 - 0.50 P	0.50	600	92 x 91	0.59
GTO 4500 - 1.00 P	1.00	1200	92 x 91	0.59
GTO 4500 - 2.00 P	2.00	2400	92 x 91	0.59
GTO 4500 - 3.00 P	3.00	3600	92 x 141	0.92
GTO 4500 - 4.00 P	4.00	4800	92 x 141	0.92
GTO 4500 - 5.00 P	5.00	6000	92 x 141	0.92
GTO 4500 - 6.00 P	6.00	7200	92 x 161	1.05
GTO 4500 - 7.00 P	7.00	8400	92 x 181	1.18

- Other values upon request.
- Above capacitors types are usually available ex stock.
- All other types have to be manufactured in accordance with specific orders, however certain minimum order quantities may be requested depending on the capacitor type.
- The dimensions may be changed due to technical advances without notice.

### STORAGE TEMPERATURE

Minimum temperature	T <sub>min</sub>	- 50°C
Maximum temperature	T <sub>max</sub>	+ 85°C

### TECHNOLOGY

Dielectric	Polypropylene film non self-healing
Impregnation	oil, NON PCB

### BUSHING

Internal thread	M8 depth 15mm
Air distance	217mm
Creepage distance	217mm

### DESIGN DATA

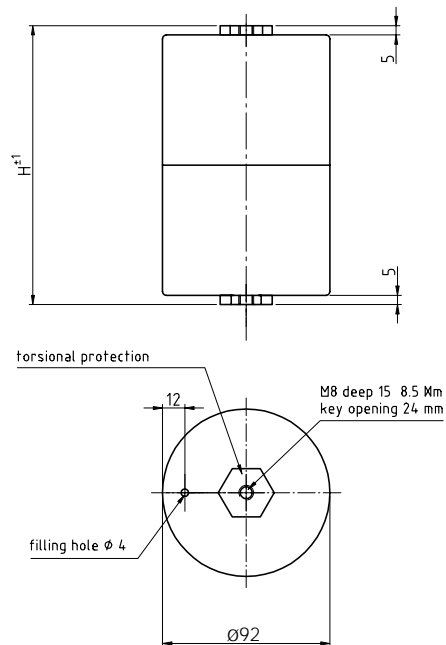
Diameter	91mm
Height	161mm
Drawing	20-B-043
Weight	1.2kg
Casing material	Lathene

Mounting	every position
----------	----------------

LIFE EXPECTANCY	> 100000 Std
-----------------	--------------

FAILURE RATE	300 FIT
--------------	---------

### DIMENSIONS





## Notice

Specifications of the products displayed herein are subject to change without notice. Vishay Intertechnology, Inc., or anyone on its behalf, assumes no responsibility or liability for any errors or inaccuracies.

Information contained herein is intended to provide a product description only. No license, express or implied, by estoppel or otherwise, to any intellectual property rights is granted by this document. Except as provided in Vishay's terms and conditions of sale for such products, Vishay assumes no liability whatsoever, and disclaims any express or implied warranty, relating to sale and/or use of Vishay products including liability or warranties relating to fitness for a particular purpose, merchantability, or infringement of any patent, copyright, or other intellectual property right.

The products shown herein are not designed for use in medical, life-saving, or life-sustaining applications. Customers using or selling these products for use in such applications do so at their own risk and agree to fully indemnify Vishay for any damages resulting from such improper use or sale.