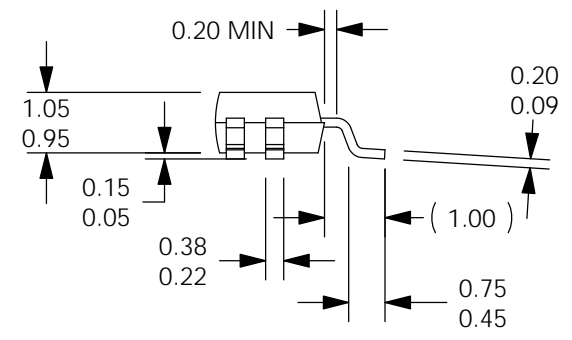
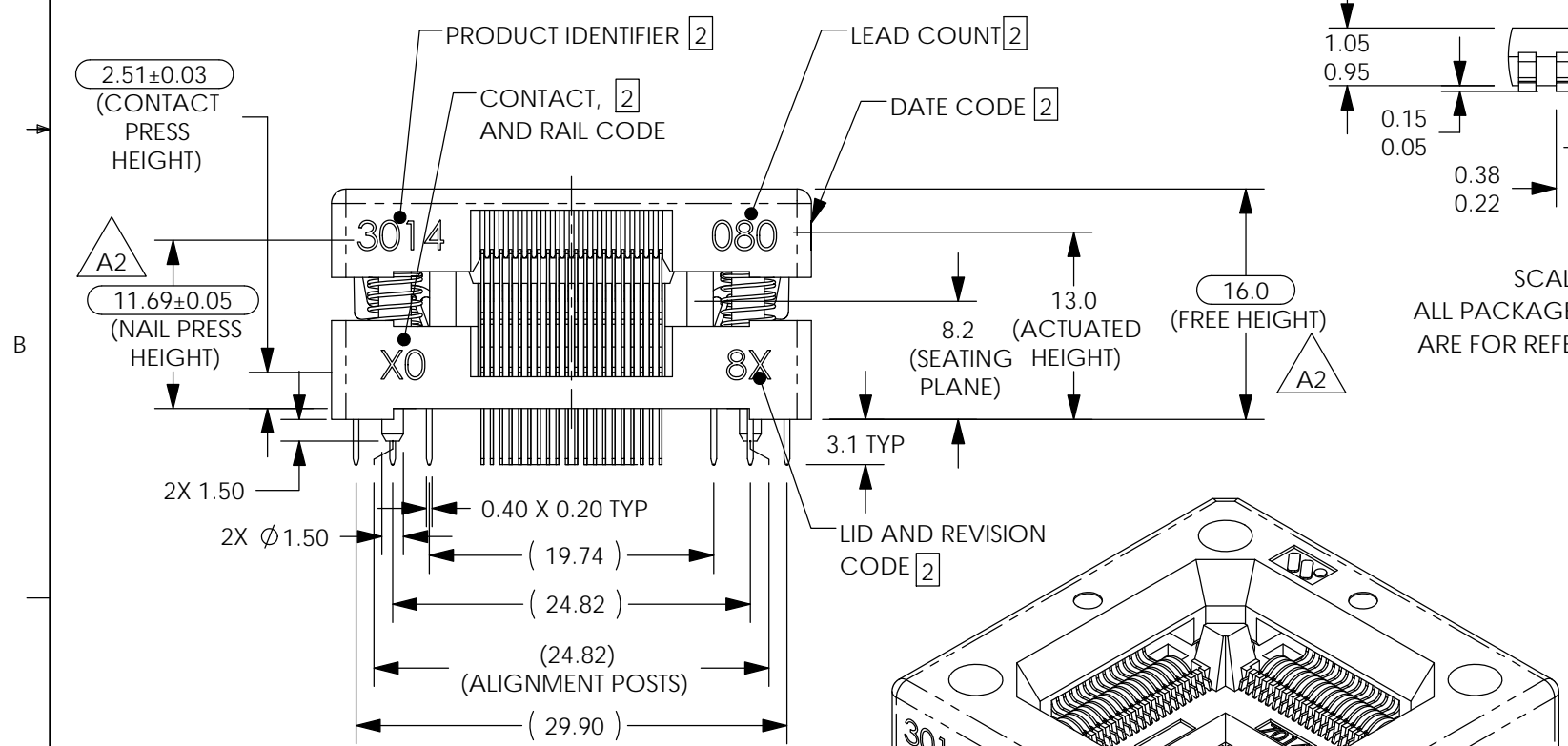
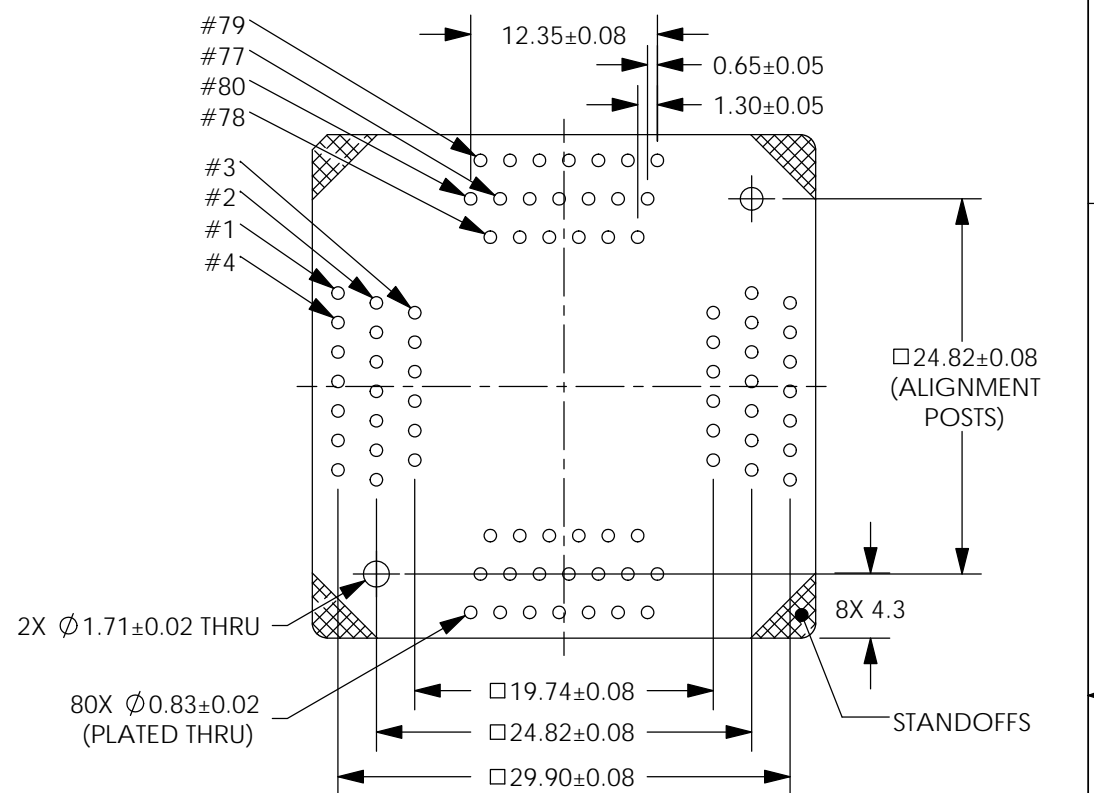


SCALE 4:1



SCALE 8:1
ALL PACKAGE DIMENSIONS ARE FOR REFERENCE ONLY

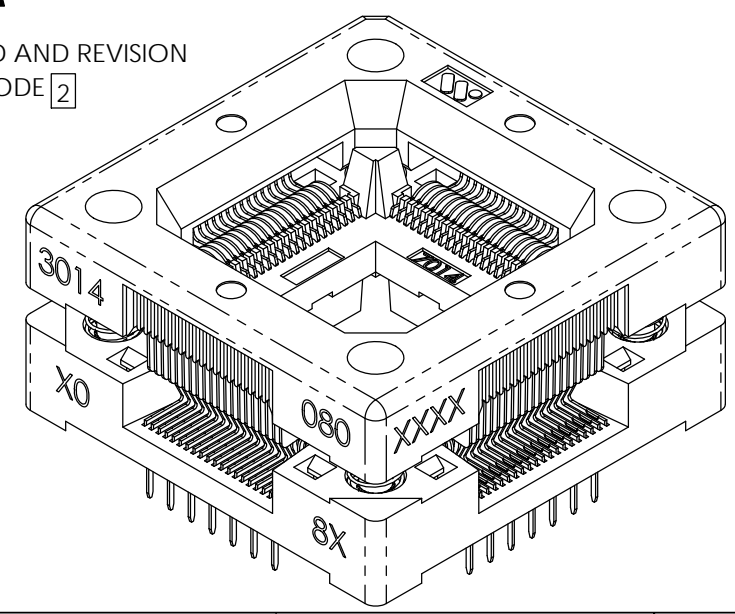
REVISIONS				
REV	ECN	DESCRIPTION	DATE	BY
A	08-0285	RELEASED.	4/24/2008	PH
A1	JT012990	REMOVED 3 & 7 FROM CONTACT OPTIONS; UPDATED DRAWING TITLE BLOCK; REMOVED NAIL PRESS HEIGHT DIM. AND CHANGED FREE HEIGHT TO CRITICAL DIM.; UPDATED MARKING TEXT LOCATION; UPDATED ITEM 2 FROM 005-027-00 TO 2800632; ADDED NOTES 3:	6/11/2009	CC
A2	10-0200	ADDED 11.69±0.05 (NAIL PRESS HEIGHT) ADDED OPTION 7 TO CONTACT OPTIONS 16.0 WAS 16.00	5/5/2010	DLC



RECOMMENDED PCB HOLE PATTERN (TOP VIEW DOWN THROUGH SOCKET)

3014-080 - X - 08 X SOCKET ASSEMBLY REVISION
 CONTACT MATERIAL & PLATING
 0 = BeCu w/ Au (Overall) (SPECIAL ORDER)
 6 = BeCu w/ Au-Au FLASH
 7 = Pfin w/ Au-Au FLASH (SPECIAL ORDER)

3. THIS PRODUCT IS ROHS COMPLIANT.
 2 MARKING: 2.0 HIGH, COLOR - WHITE, LOCATE AS SHOWN.
 1. MATERIAL AND FINISH:
 SOCKET LID - POLYETHERIMIDE
 SOCKET BASE - POLYETHERIMIDE
 CONTACTS - SEE CHART
 NAILS AND SPRINGS - STAINLESS STEEL, PASSIVATED.
 NOTES, UNLESS OTHERWISE SPECIFIED:



ITEM NO.	QTY.	PART NUMBER	DESCRIPTION
5	1	001-492-20	TQFP SOCKET BASE (14mm, 0.50C/C, 100LD)
4	1	001-493-20	SOCKET LID
3	80	002-086-XX	CONTACT, REDUCED ACTUATION FORCE
2	4	2800632	SPRING, COMP., .150IN. O.D., .200IN. LEN.
1	4	006-027-00	CORNER NAIL

LEGEND		INTERPRET DRAWING IN ACCORDANCE WITH ASME Y14.5M-1994		MATERIAL SEE NOTES		FINISH SEE NOTES			
3	TOTAL NO. OF USED	TOLERANCES		REFERENCE	DRAWN PH	DATE 4/24/2008	TITLE		
PROJECTION		X.X ± 0.2 X.XX ± 0.08 X.XXX ± 0.025 ANGLE ± 1°		PROJECT / SERIES 3014	CHECKED JC	DATE 4/24/2008	DRAWING NUMBER	REV.	
SIZE B		CONFIDENTIAL/PROPRIETARY THIS DOCUMENT CONTAINS PROPRIETARY INFORMATION OF WELLS-CTI. NOT TO BE USED, COPIED OR DISCLOSED WITHOUT PERMISSION. ALL RIGHTS RESERVED.		QUALITY	DATE	DATE 4/24/08	3014-080-X-08	A2	
				MFG. ENGR.	DATE		SCALE 2:1	UNITS:mm [in]	
						DO NOT SCALE		SHEET 1 OF 1	