

WE-LQ SMD Inductor

Size 1210



Characteristics

- Miniature chip inductor wound on a special ferrite core
- Small inductances for compact circuits
- High Q at high frequencies
- Low DC-resistance
- Operating temperature: $-40\text{ }^{\circ}\text{C}$ to $+125\text{ }^{\circ}\text{C}$

Applications

- Low power DC/DC-converters from Linear Technology, National Semiconductor, Texas Instruments, Fairchild Semiconductor, ON Semiconductor, STMicroelectronics, Maxim, MPS, Semtech, Exar, Analogic Tech, Diodes and Cologne Chip
- EMI-Filtering
- RF-circuits

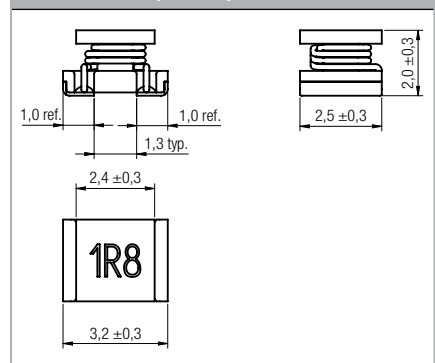
QR-Code



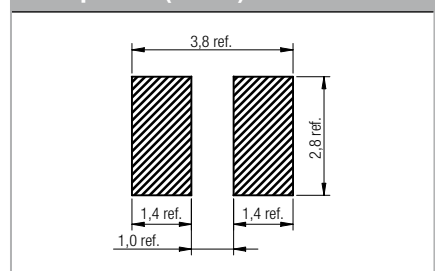
Electrical properties

Order Code	L (μH)	Q	R_{DC} (Ω)	I_{R} (A)	f_{res} (MHz)	Qty.
744 032 001	1.0	20	0.10	0.75	100	2000
744 032 001 5	1.5	20	0.13	0.66	75	
744 032 001 8	1.8	20	0.14	0.64	60	
744 032 002	2.2	20	0.15	0.62	50	
744 032 002 7	2.7	20	0.18	0.60	43	
744 032 003	3.3	20	0.20	0.58	38	
744 032 003 9	3.9	20	0.25	0.54	35	
744 032 004	4.7	20	0.28	0.49	31	
744 032 005 6	5.6	20	0.36	0.44	28	
744 032 006	6.8	20	0.40	0.42	25	
744 032 008	8.2	20	0.45	0.39	23	
744 032 100	10	35	0.65	0.32	20	
744 032 120	12	35	0.70	0.29	18	
744 032 150	15	35	1.0	0.27	16	
744 032 180	18	35	1.1	0.24	15	
744 032 220	22	35	1.3	0.22	14	
744 032 680	68	35	3.8	0.13	9	
744 032 101	100	40	6.5	0.100	8	
744 032 121	120	40	7.0	0.095	7	
744 032 221	220	40	11.8	0.075	5	
744 032 331	330	40	16.5	0.065	5	
744 032 471	470	46	25.0	0.055	5	

Dimensions (in mm)



Land pattern (in mm)



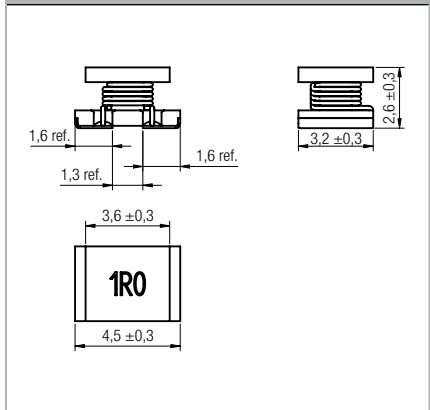
WE-LQ SMD Inductor

Size 1812

Electrical properties

Order Code	L (μH)	Q	R_{DC} (Ω)	I_{R} (A)	f_{res} (MHz)	Qty.
744 045 001	1.0	40	0.08	1.80	165	500
744 045 001 5	1.5	42	0.09	1.75	130	
744 045 001 8	1.8	45	0.10	1.70	100	
744 045 002	2.2	40	0.11	1.60	80	
744 045 002 7	2.7	40	0.12	1.50	63	
744 045 003	3.3	45	0.13	1.40	58	
744 045 003 9	3.9	40	0.14	1.32	54	
744 045 004	4.7	36	0.15	1.24	45	
744 045 005 6	5.6	36	0.18	1.18	41	
744 045 006	6.8	36	0.20	1.10	37	
744 045 008	8.2	36	0.25	1.00	34	
744 045 100	10	48	0.30	0.95	30	
744 045 120	12	48	0.42	0.80	28	
744 045 150	15	45	0.5	0.73	26	
744 045 180	18	42	0.6	0.68	22	
744 045 220	22	50	0.7	0.63	20	
744 045 330	33	55	1.1	0.43	18	
744 045 210	100	60	2.5	0.27	10	
744 045 215	150	55	3.7	0.22	8	
744 045 391	390	50	13.0	0.11	5	
744 045 471	470	50	14.2	0.105	5	
744 045 681	680	45	16.8	0.090	3	
744 045 821	820	50	20.0	0.085	2	
744 045 102	1000	28	30.0	0.070	2	
744 045 152	1500	35	38.5	0.055	2	
744 045 222	2200	30	63.0	0.040	1	

Dimensions (in mm)



Land pattern (in mm)

