



**Low leakage field  
Wide range of inductance value**

#### Characteristics

- Magnetic shielded version from the WE-PD2, which results in a low leakage field
- High saturation current due the self-centering shielding ring construction
- Pin compatible with the PD2 size 7850
- Recommended solder profile: Reflow
- Operating temperature:  $-40\text{ }^{\circ}\text{C}$  up to  $+125\text{ }^{\circ}\text{C}$

#### Applications

- Switching regulators with low operation voltage like in portable devices

QR-Code

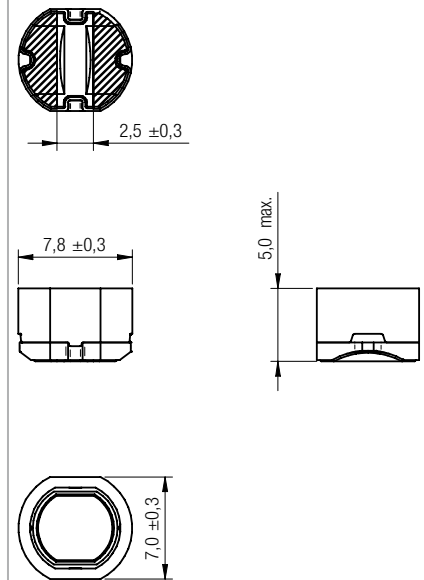


#### Electrical properties

Order Code	L ( $\mu\text{H}$ )	Tolerance (%)	$I_R$ (A)	$I_{\text{sat}}$ (A)	$R_{\text{DC typ.}}$ ( $\text{m}\Omega$ )	$R_{\text{DC max.}}$ ( $\text{m}\Omega$ )	Qty.
744 787 012	1.2	$\pm 30\%$	4.85	6.0	8.5	13	1000
744 787 027	2.7	$\pm 30\%$	4.35	4.5	13.5	17	
744 787 039	3.9	$\pm 30\%$	3.80	4.0	16.7	20	
744 787 047	4.7	$\pm 30\%$	3.30	3.6	24.3	29	
744 787 068	6.8	$\pm 20\%$	3.00	3.0	27	33	
744 787 082	8.2	$\pm 20\%$	2.70	2.8	33	39	
744 787 100	10	$\pm 20\%$	2.60	2.6	36.5	43	
744 787 120	12	$\pm 20\%$	2.45	2.4	45	52	
744 787 150	15	$\pm 20\%$	2.30	2.1	52	60	
744 787 180	18	$\pm 20\%$	2.15	1.9	67	78	
744 787 220	22	$\pm 20\%$	1.83	1.7	88	103	
744 787 330	33	$\pm 20\%$	1.48	1.3	137	161	
744 787 470	47	$\pm 20\%$	1.25	1.15	206	243	
744 787 680	68	$\pm 20\%$	1.12	1.00	246	290	
744 787 820	82	$\pm 20\%$	1.04	0.90	278	328	
744 787 101	100	$\pm 20\%$	0.95	0.87	396	467	
744 787 121	120	$\pm 20\%$	0.73	0.80	545	643	
744 787 151	150	$\pm 20\%$	0.71	0.70	610	719	
744 787 181	180	$\pm 20\%$	0.68	0.62	673	794	
744 787 221	220	$\pm 20\%$	0.67	0.58	743	876	

$I_R$  referring to 40 K self-heating above ambient temperature  
 $I_{\text{sat}}$  referring to inductance loss of 15% typ.

#### Dimensions (in mm)



#### Land pattern (in mm)

