

# ORDER INFORMATION

5 T 3 0 0 0 F - P X X R K 0 1

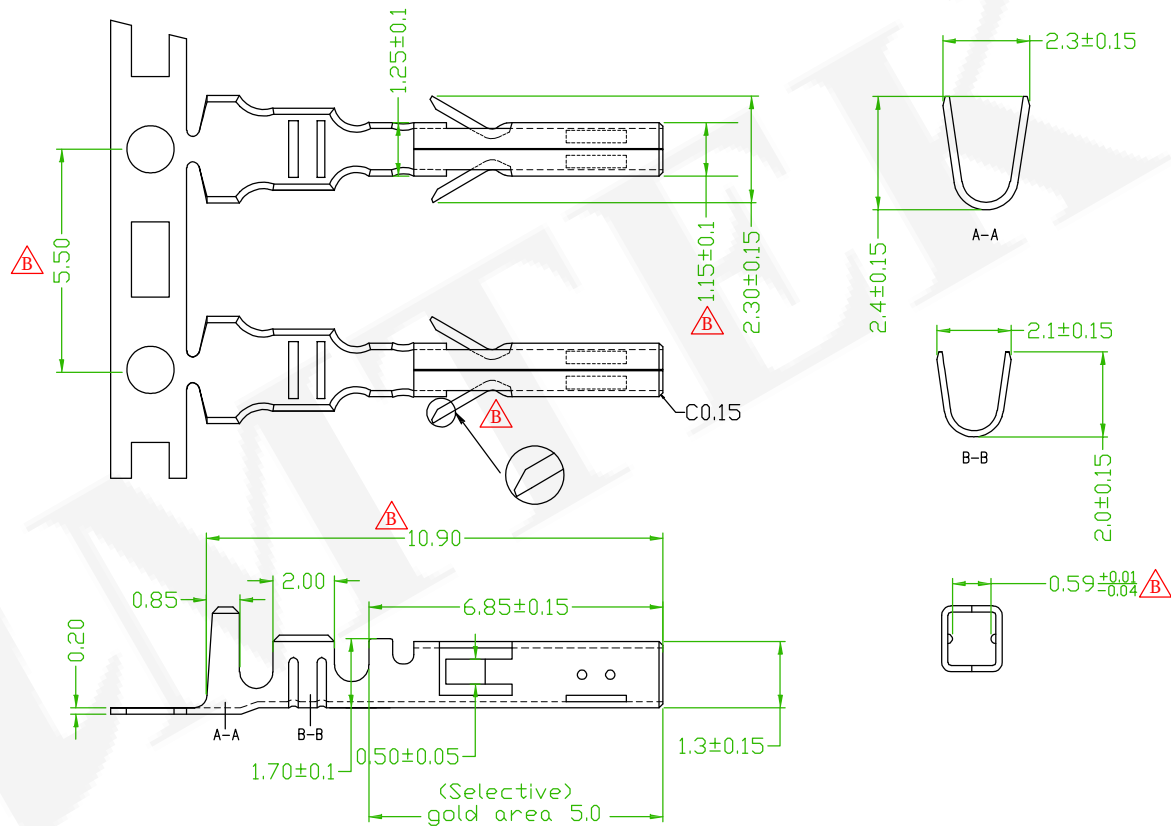
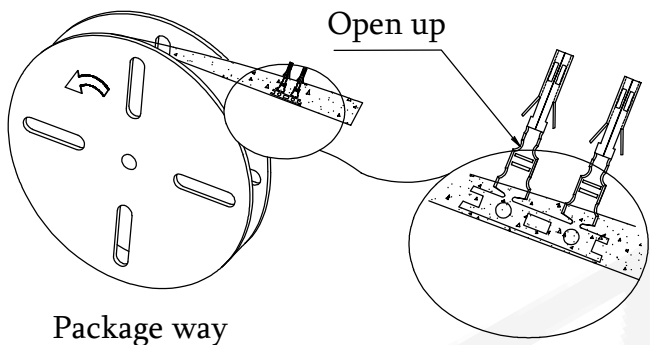
Pitch 3.0mm

P:Phosphor Bronze

G0:Gold Flash  
SF:Selective 15u"  
T0:Tin Plated

R:Tape&Reel

AMTEK 糧德  
2022.02.25  
Released DCC



Part No.	Insulation O.D.	Wire Range	Material	Qty/Reel
5T3000F-PXXRK01	1.6mm(max)	AWG#20-#24	Phosphor Bronze	10KPCS

<p>糧德精密有限公司 Amtek Technology Co., Ltd. TEL: 886-2-2260-6878 FAX: 886-2-2260-8030</p>	品名 TITLE	3.0mm TERMINAL			頁數 Page	1/1
	品號 PART NO.	5T3000F-PXXRK01			繪圖 DRAWN	Benson 2021/06/24
	圖號 DRAWING NO.	GN132-BN579	版本 REV.	B	核對 CHECKED	Josh 2021/06/24
	客戶品號 CUSTOMER P/N		比例 SCALE	None	承認 APPROVED	Josh 2021/06/24
	公差 TOLERANCE	.X ± 0.30 .XX ± 0.20	單位 UNIT	mm	THIRD ANGLE PROJECTION	

	QEC NO.:220110 Revise the Drawing	Benson	2022/02/23
REV.	ECN NO. OR DESCRIPTION	REVISED	DATE