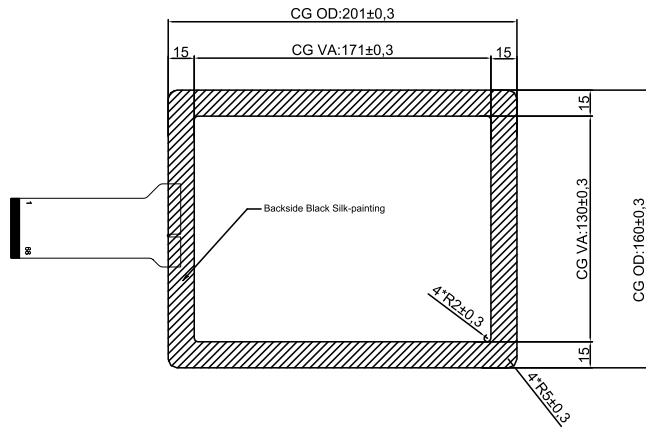
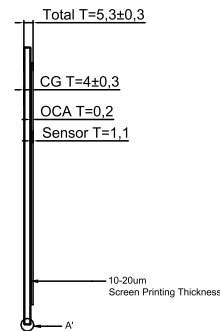


Ver.	Modify No.	Details	Area	P.I.C	Date

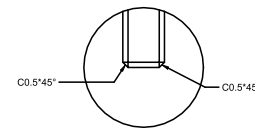
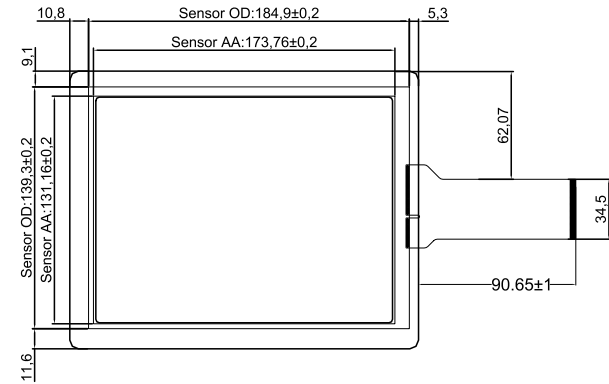
Front View



Side View



Back View



A'
SCALE: 6:1

USB PIN ASSIGNMENT

1	VDD/5V
2	D-
3	D+
4	GND

Technical Datasheet:

- Structure: Cover Glass+OCA+ITO Glass
- Controller: BTP-GG-CTR-ILI-084S-R02 COB
- Controller IC: ILI 2511
- Cover Glass: T=4mm, Surface hardness ≥6H
- Light transmittance: ≥85%
- Working Temperature: -20°C~+80°C, ≤85%RH;
- Storage Temperature: -30°C~+80°C, ≤85%RH;
- Work environment: Outdoors
- Unmarked Tolerance: ± 0.3 mm;
- All material used conform to RoHS standards

Touch Panel Structure

TOP		
Cover	4.0mm	} 0.7mm
OCA	0.2mm	
ITO		
Sensor galls		
ITO		
BOTTOM		

Designed by:	Curry.Wang
Checked by:	Betty.Fu
Approved by:	Cale.Chen
Workmanship:	Yong.Xin
Standardization:	Link.Chen
Released by:	Rocky.Liu

Part No.		BTP-GG-TPS-8.4-ILI		
Product Name: 8.4 inch Touch Panel		Drawing No.	G084S02220214	
		Project Code.	G084S02	
Business Unit: SNT-BTP		Period Mark	View Angle	Ratio
		A		1:1
BOM Code	1.12.084.02.0000	Page 1	Total 1 Page	
Product Series	BTP-GG	思诺泰科电子(苏州)有限公司 SINOTRONICS INC.		