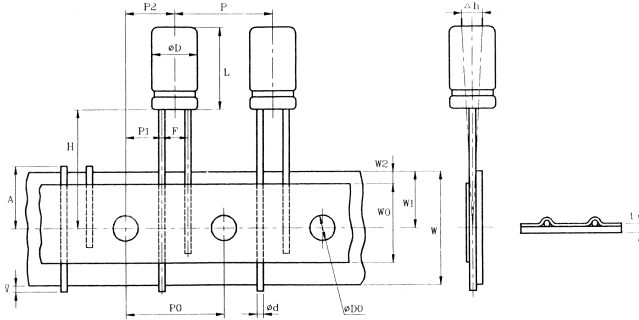


RADIAL TAPING FOR AUTOMATIC INSERTION

DRAWING I CODE T1 Lead space 2.5mm

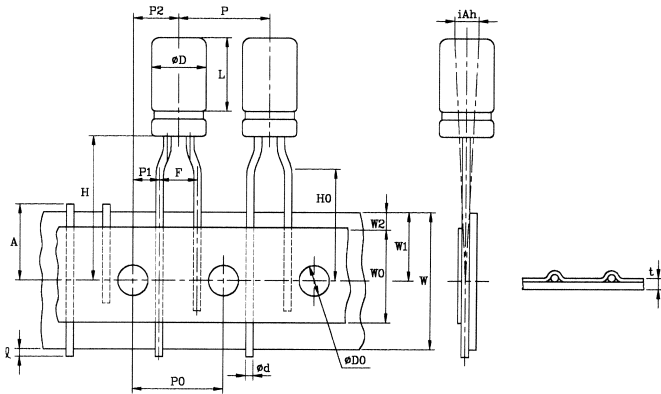


- BODY DIA 6mm is straight Lead without kink
- PACKAGING

φD	Q'TY	BOX	REEL
	4	2.500	1.700
	5	2.000	1.300
	6,6.3	1.500	1.000

Symbol	Dimension	Tolerance
φD	4,5,6,6.3	+ 0.5max.
P	12.7	±1.0
P ₀	12.7	±0.3
P ₂	6.35	±1.0
F	2.5	±0.5
Δ _h	0	±2.0
W	18.0	±0.5
W ₀	12.5	min.
W ₁	9.0	±0.5
W ₂	2.0	max.
H	18.5	±0.75
H ₀	16.0	±0.5
•	2.0	max.
φD ₀	4.0	0.2
+	0.7	0.5
A	11.10	max.
L	7.11	+ 10

DRAWING II CODE TA Lead space 5mm



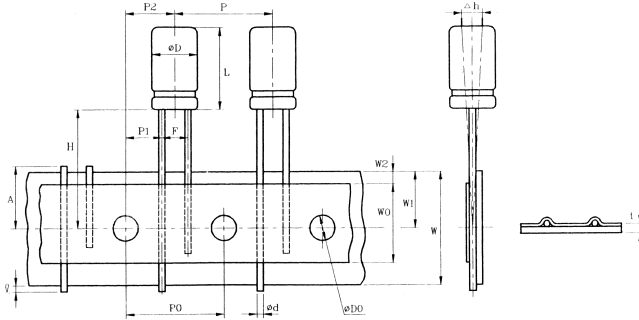
- PACKAGING

φD	Q'TY	BOX	REEL
	4	2.500	1.700
	5	2.000	1.300
	6,6.3	1.500	1.000
	8	1.000	750

Symbol	Dimension	Tolerance
P	12.7	±1.0
P ₀	12.7	±0.3
P ₂	6.35	±1.0
F	5.0	±0.5
Δ _h	0	±2.0
W	18.0	±0.5
W ₀	12.5	min.
W ₁	9.0	±0.5
W ₂	2.0	max.
H	18.5	±0.75
H ₀	16.0	±0.5
•	2.0	max.
φD ₀	4.0	0.2
+	0.7	0.5
A	11.0	max.
L	7,11,11	+ 10

RADIAL TAPING FOR AUTOMATIC INSERTION

DRAWING III CODE T2 Lead space 5mm

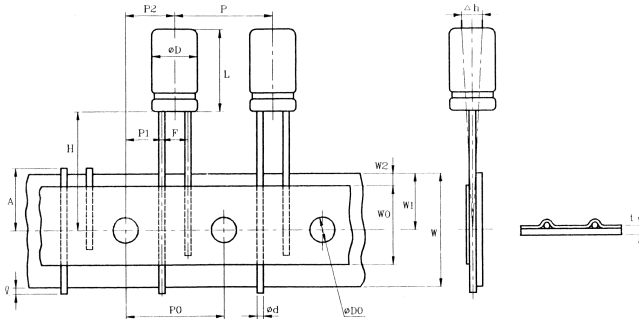


PACKAGING :

φD	Q'TY	BOX
10		600
13		500

Symbol	Dimension		Tolerance
	Dφ10	Dφ13	
φD	12.7	25.4	+ 1.0
P ₀	12.7	25.4	+ 0.3
P ₂	6.35	12.7	+ 1.0
F	5.0	5.0	±0.5
△ _h	0	0	+ 2.0
W	18.0	18.0	+ 0.5
W ₀	12.5	12.5	min.
W ₁	9.0	9.0	+ 0.5
W ₂	2.0	2.0	max.
H	18.5	18.5	+ 0.75
H ₀	2.0	2.0	max.
•	4.0	4.0	+ 0.2
φD ₀	0.7	0.7	+ 0.5
+	11.0	11.0	max.
A	0.6	0.6	±0.05
L	12,5,16,21	21.26	+ 1.5

DRAWING IV CODE T3 Lead space 7.5mm



● PACKAGING :

φD	Q'TY	BOX
16		300

Symbol	Dimension	Tolerance
	Dφ16	
P	30.0	+ 1.0
P ₀	15.0	+ 0.3
P ₂	7.5	+ 1.0
F	7.5	±5.0
△ _h	0	+ 2.0
W	18.0	+ 0.5
W ₀	12.5	min.
W ₁	9.0	+ 0.5
W ₂	2.0	max.
H	18.5	+ 0.75
•	2.0	2.0
φD ₀	4.0	+ 0.2
+	0.7	+ 0.2
A	11.0	max.
φd	0.8	+ 0.05
L	26.31	

