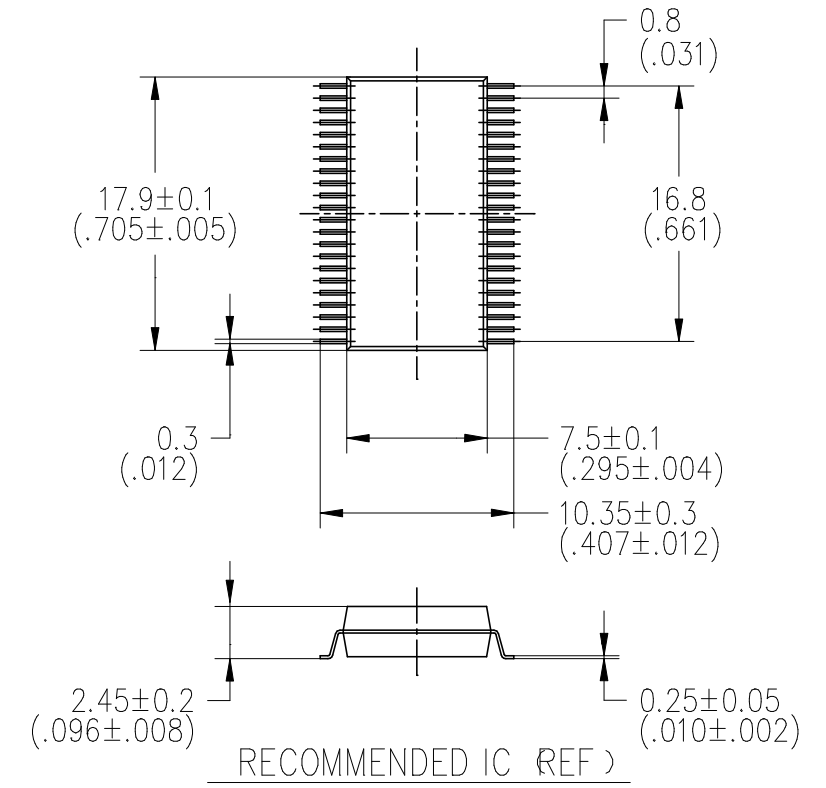
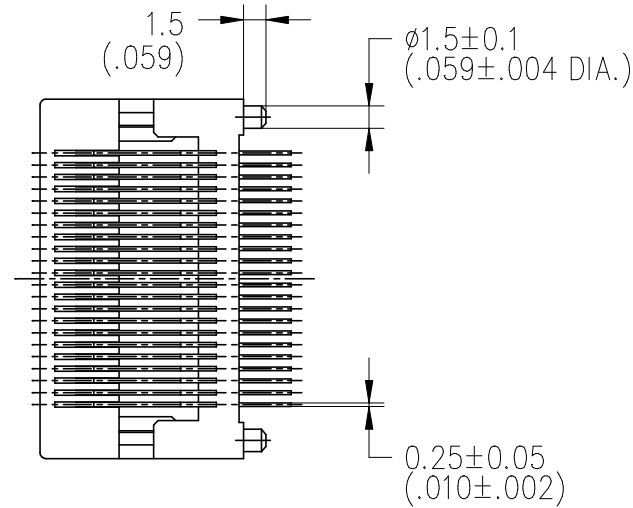
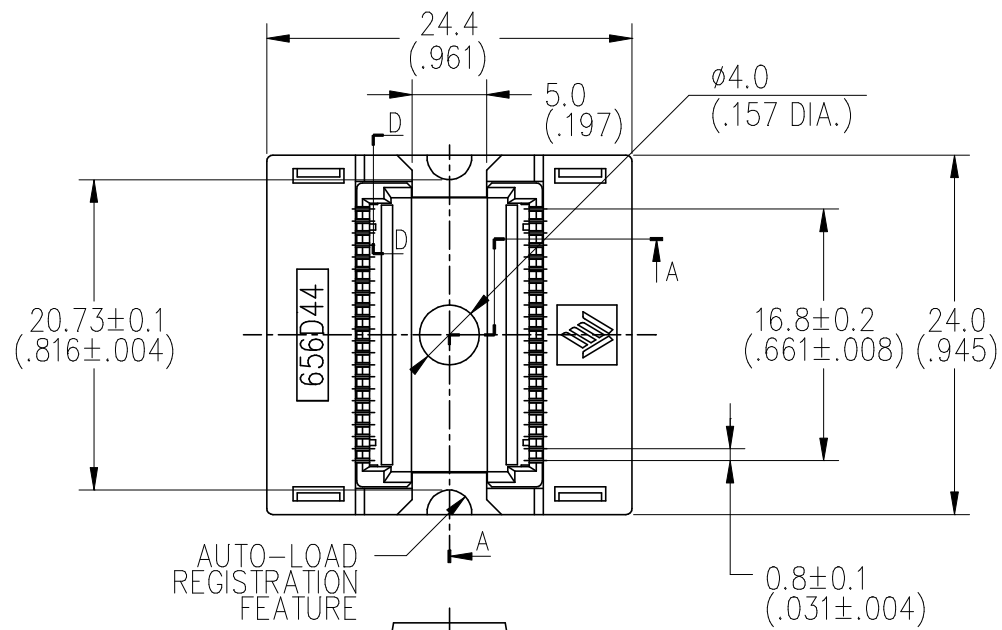
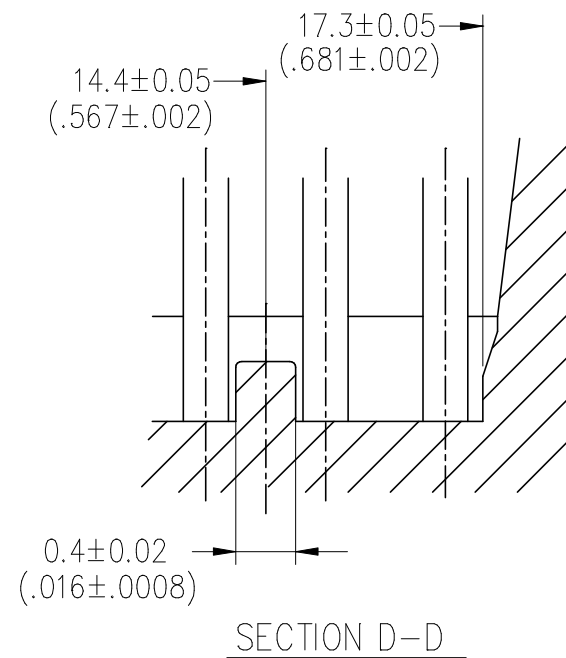
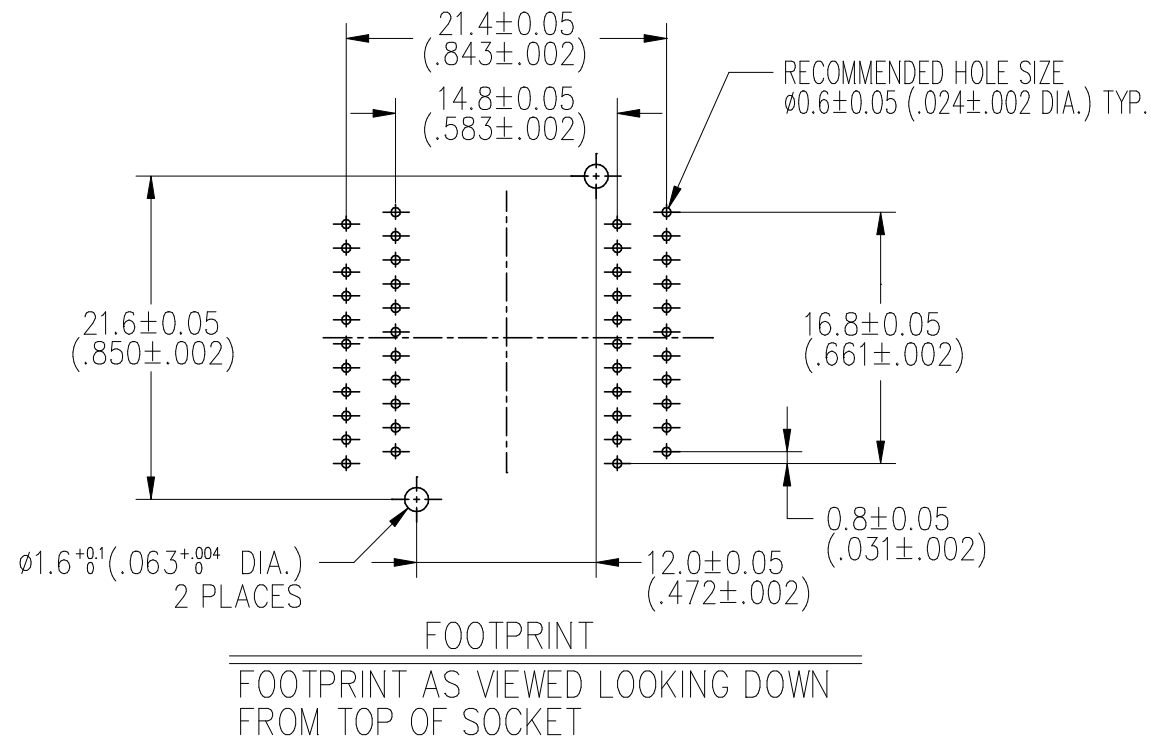
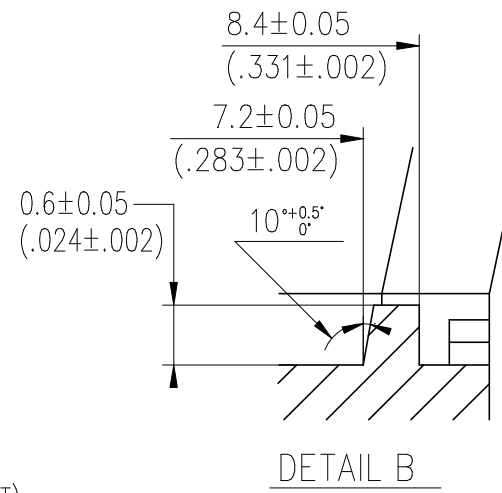
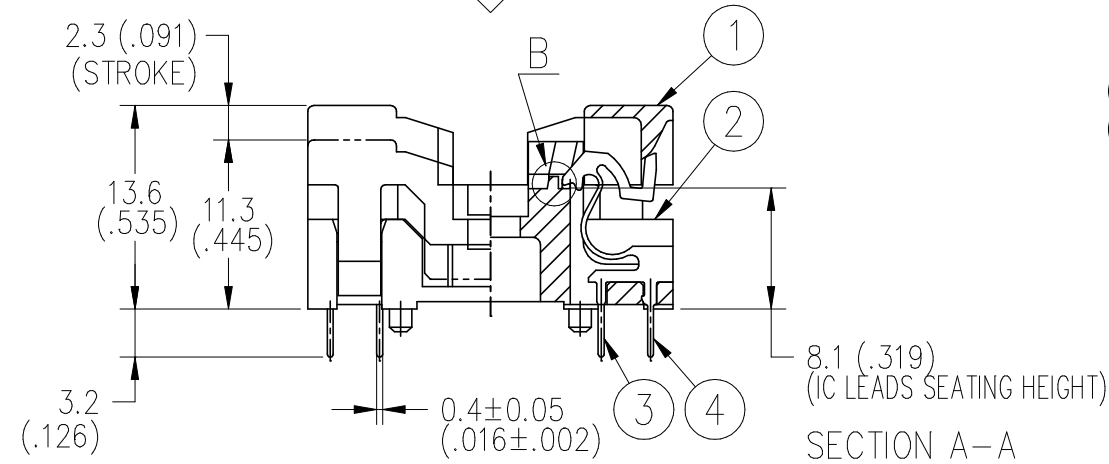


DATE	ECO NO	DESCRIPTION	BY
Oct 21 1993	CDN 94085		M,I
Feb 9 1995		Additional Dimensions	




Performance.

1. Insulation Resistance : 1000 MΩ min. at 500V.D.C
2. Dielectric Withstanding Voltage : 600 V.A.C (RMS)
3. Contact Resistance : 30 mΩ max. at 20 mV max.
4. Temperature Range : -40°C ~ +150°C



P.NO	PART DESCRIPTION	MATERIAL	QTY	NOTE
④	CONTACT- (2)	Be Cu	22	PLATING : Au
③	CONTACT- (1)	Be Cu	22	PLATING : Au
②	BASE-44P	PEI	1	COLOR : BLACK
①	COVER-44P	PEI	1	COLOR : BLACK

GENERAL TOLERANCES			 WELLS JAPAN LIMITED ウェルズ・ジャパン株式会社	
±0.3 (±.012)				
UNIT	SCALE	ANGLE		
mm (in.)	2/1	3rd.		
DRAWN	/	/		
CHECKED	/	/	TITLE	SSOP 44P SOCKET
APPROVED	/	/	DWG NO.	656D2442211